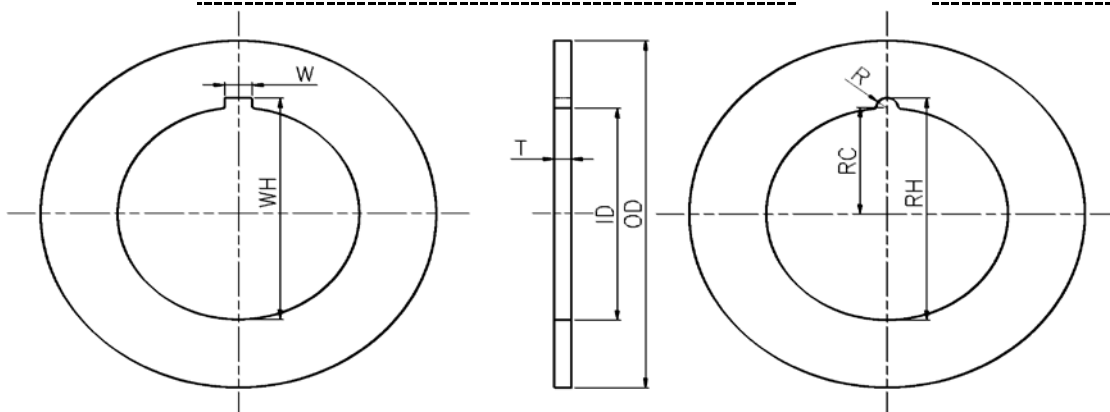




TOA DR ENTERPRISE CO., LTD.  
 NO.24, LANE 30, KUANG FU RD., SEC. 1, SAN CHUNG, DIST.,  
 NEW TAIPEI CITY, TAIWAN, R.O.C.  
 TEL : 886-2-2995-7607 FAX : 886-2-2995-5048  
 E-mail : sales@slitterline.com

## 【 SLITTER KNIVES 】

Company : \_\_\_\_\_ Name: \_\_\_\_\_  
 E - Mail : \_\_\_\_\_ Tel: \_\_\_\_\_



1. Material of slitter knives : \_\_\_\_\_
2. Outer diameter : \_\_\_\_\_ mm
3. Inner diameter : \_\_\_\_\_ mm
4. Thickness : \_\_\_\_\_ mm
5. Key way type :

Square key

Round key

W : \_\_\_\_\_ mm

R : \_\_\_\_\_ mm

WH : \_\_\_\_\_ mm

RC : \_\_\_\_\_ mm

RH : \_\_\_\_\_ mm

6. Slitter knife hardness : HRC \_\_\_\_\_
7. Quantity : \_\_\_\_\_ PCS
8. Material to be processed : \_\_\_\_\_
9. Thickness of coil to be slitted : \_\_\_\_\_ mm
10. Tensile Strength : \_\_\_\_\_ MPa
11. Coil hardness : HV \_\_\_\_\_
12. Slitter spacer outer diameter : \_\_\_\_\_ mm

**If you have the drawing please send to us with this form.**

**We will quote it as soon as possible. Thank you.**